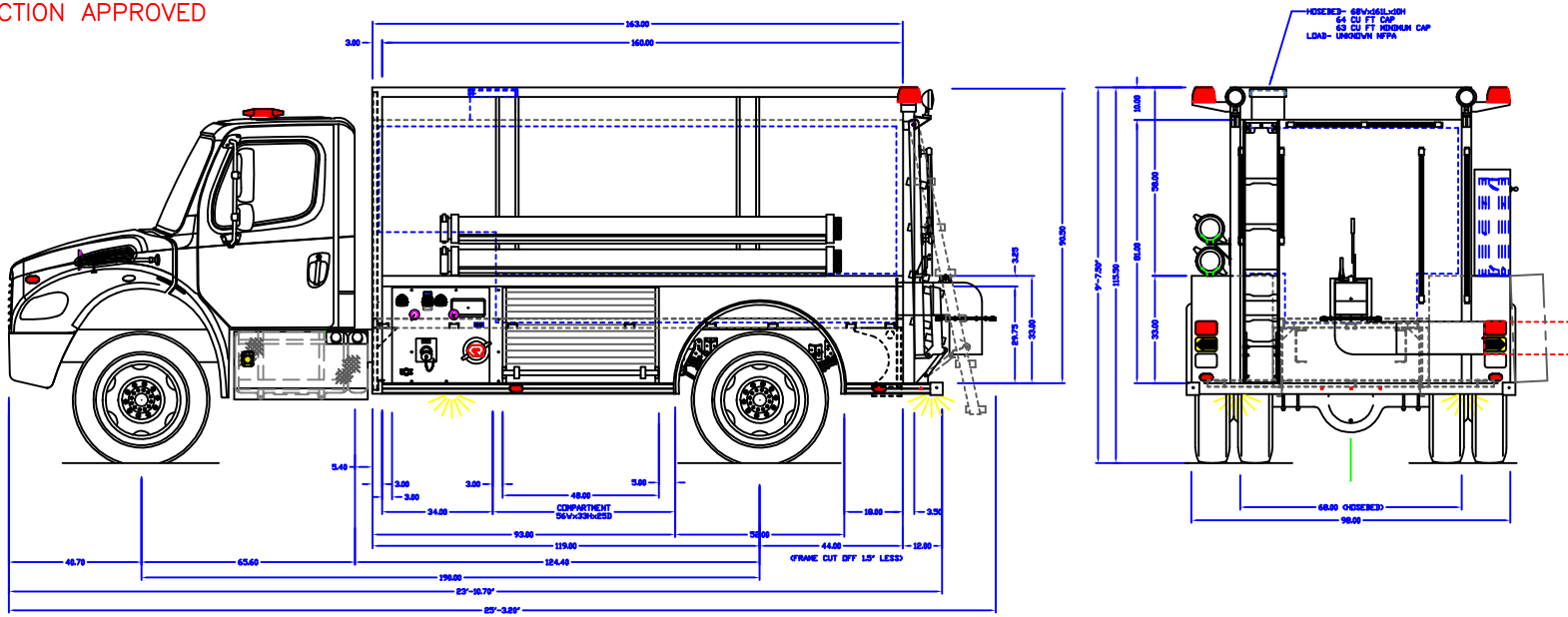


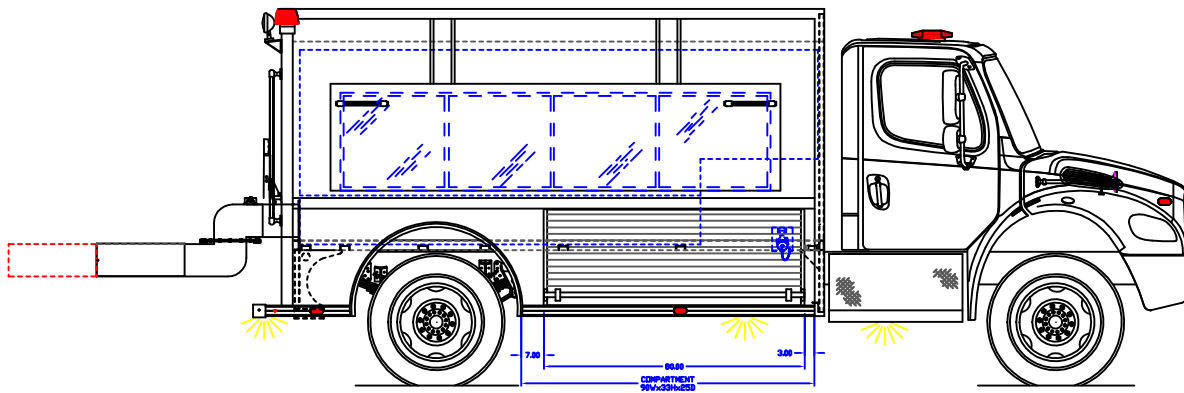
INITIALS: EH  
 JOB NUMBER: 22193-22206  
 DATE: 12/23/2021

MAIN FILE: ---  
 DEPT: ---  
 DEALER: ---

PRODUCTION APPROVED



- NOTES:
1. OVERALL HEIGHT IS IN LOADED CONDITION. UNLOADED HEIGHTS MAY BE 4" ABOVE HEIGHTS SHOWN.
  2. DO NOT SCALE DRAWING.
  3. ALL DIMENSIONS ARE APPROXIMATE AND SUBJECT TO ENGINEERING CHANGES.
  4. DRAWING MAY OR MAY NOT SHOW ALL ITEMS AS DESCRIBED IN THE WRITTEN DETAIL SPECIFICATIONS.
  5. INCLUSION OF AN ITEM ON THE DRAWING DOES NOT CONSTITUTE INCLUSION OF THAT ITEM WITH THE FINAL DELIVERED UNIT.
  6. THE EFFECTIVE DOOR OPENINGS WILL BE APPROX. 2" LESS THAN THE NOTED COMPARTMENT OPENING FOR ROLL UP DOORS AND UP TO APPROX. 4" LESS FOR HINGED DOORS



APPROVED BY: \_\_\_\_\_

CHASSIS:	FREIGHTLINER
PUMP:	DARLEY 500 GPM
TANK:	POLY/2000
PANEL MATL:	LINE X
COMP INTERIOR:	SPATTER PAINTED

REVISED:	NJK	DATE:	4/13/22
DRAWN:	BPC	DATE:	12-07-21
PROPRIETARY AND CONFIDENTIAL THE INFORMATION CONTAINED IN THIS DRAWING IS THE SOLE PROPERTY OF ROSENBAUER. ANY REPRODUCTION IN PART OR AS A WHOLE WITHOUT THE WRITTEN PERMISSION OF ROSENBAUER IS PROHIBITED.			
MAXIMUM HEIGHT:	NONE		
MAXIMUM LENGTH:	NONE		
BODY WIDTH:	98"		

## STOCK RXT 2000 GALLON TANKER

		PROGRAM FX 1/8"
STOCK NUMBER:	stock rxt 2000 gallon	REV: -